



SIKORSKY  
**HH-60W** HELICOPTER

# SIKORSKY HH-60W HELICOPTER

## PROVEN DESIGN

Based on the proven technologically advanced UH-60M helicopter with millions of flight hours

- Affordable, maintainable and supported by a global supply chain

## IMPROVED SURVIVABILITY

Protecting the aircraft against the most dense threat environments  
Advanced integrated defensive suite including:

- APR-52 Digital Radar Warning Receiver
- AVR-2B Laser Warning System
- AAR-57 Missile and Hostile Fire Warning System
- Six Integrated Chaff and Flare Dispensers
- Improved Cabin and Cockpit Floor and Wall Armor

## FLEXIBLE WEAPON SYSTEMS

- Externally mounted weapons for improved cabin space, maximum field of view and field of fire
- Supports 7.62mm and .50 cal fixed-forward and crew-served weapons

## INTEGRATED MISSION SYSTEM

State-of-the-art missions systems:

- Link-16, SADL, Integrated Broadcast Receiver, Blue Forces Tracker
- Integrated cockpit (4) and Cabin (3) displays
- Reduces aircrew workload and improves effectiveness during highly demanding special missions

## EXCEPTIONAL PERFORMANCE

- 22,500 lb max gross weight for greater payload
- 660 gallon main fuel tank & air refueling/fuel dump system
- Shipboard compatibility
- Improved structural design for increased gross weight

## NAVIGATION/COMMUNICATION

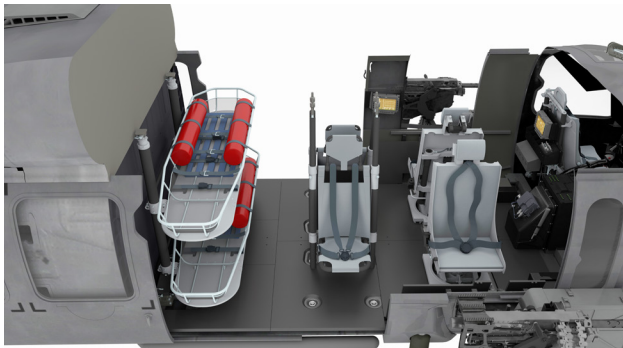
- Five ARC-210 Radios (2 x SATCOM) + PLS & J-Voice
- APCO-P-25 1st responder comm enabled
- RNP/RNAV Civil Navigation Certification
- ADS-B In and Out
- Moving Map display with tactical awareness overlays



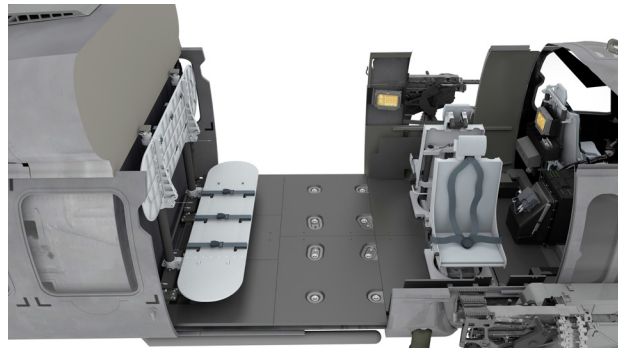
## MEETS ALL U.S. AIR FORCE REQUIREMENTS

- 195 nautical mile combat radius
- Hot and high hover of 4000' PA and 95°F
- Best-in-class survivability and lethality
- Unprecedented net-centric capability

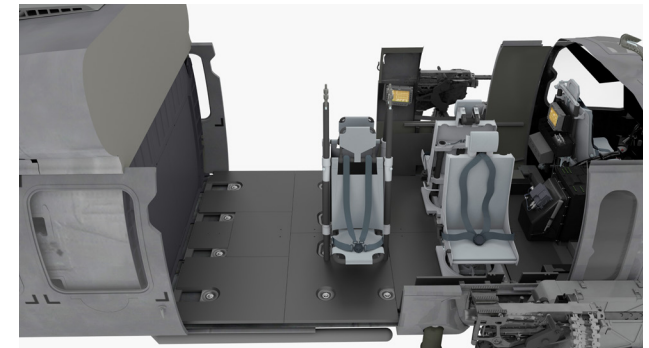
## VERSATILE CABIN OPTIMIZED FOR COMBAT SEARCH AND RESCUE MISSION



Litter stations compliant to combat search and rescue mission



Adaptable cabin for alternate configurations



Configurable for additional pararescue/troop transport and stowable PJ seating into cabin ceiling to maximize cabin space